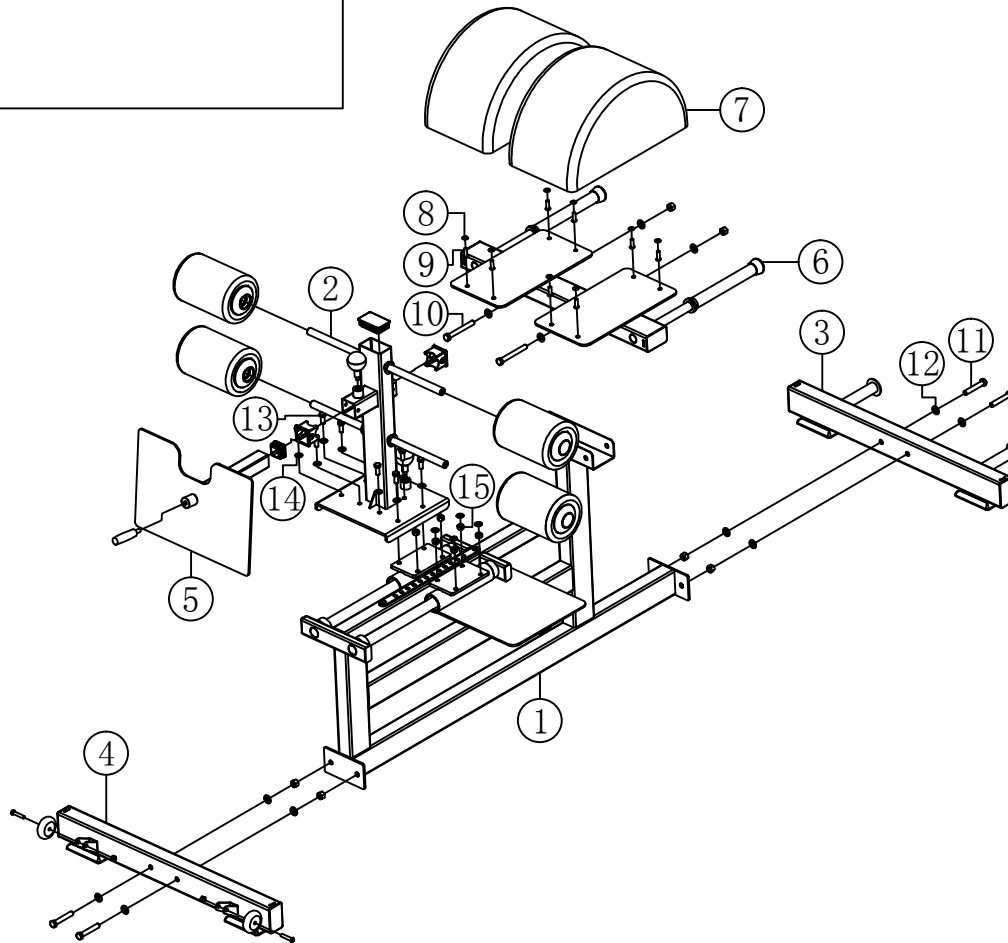


F94 Horizontal Roman chair explosive view

Note: spare parts and fasteners are not listed on the form.



Item Number	Name Of Material	Quantity
1	The frame components	1
2	Foam components	1
3	Before the end of tube	1
4	After the end of tube	1
5	Hand components	1
6	Mat components	1
7	Abdominal pad	2
8	Flat gasket $\phi 8$	8
9	Six corners in a semicircle M8*25	8
10	Hex M12*110	2
11	Hex M12*75	4
12	Flat gasket $\phi 12$	12
13	Hex M10*30	8
14	Flat gasket $\phi 10$	16
15	Self-locking mother M10	8